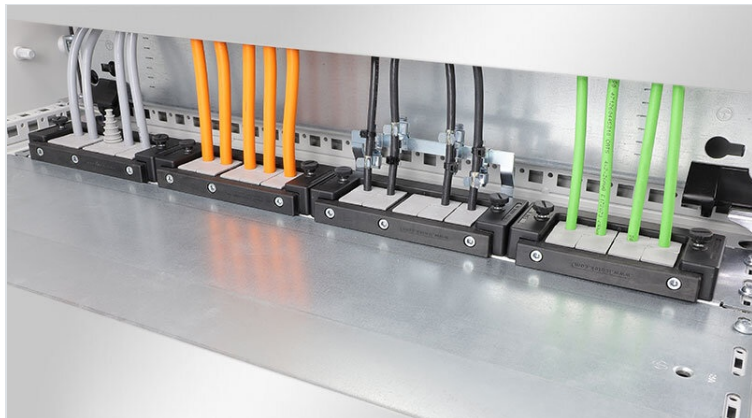


KDR-ESR gland plates with slide frames

for Rittal, nVent Hoffman & Häwa enclosures / IP54



The KDR-ESR is a one-piece plate to be assembled on enclosure bases. Slide frames for the [KEL-U cable entry frames](#) and [KEL-QUICK cable entry frames](#) are already pre-assembled. On some gland plate types [KEL-JUMBO cable entry frames](#) can be mounted as well.

After installing all cables into the KEL-U frames, they are easily and quickly inserted into the slide frames and fixed. During maintenance, the KEL-U frames are removed without tools from the slide frames. Due to the combination KDR-ESR and KEL-U cable entry frames, a rating of IP54 is achieved (with correct selection of cable grommets). Slide frames which are no longer required, are closed with [BPK-SNAP blank plates](#).

The extremely narrow (75 mm) gland plate KDRS-ESR-VX25 is assembled on enclosure base plates. This enables straight cable routing into the cable duct, without bending the cables. Thus, the cable duct can be set lower allowing more space for other components in the cabinet.

IP54



RoHS compliant



Made in Germany

Specifications

| | |
|------------------------------|--|
| IP rating (EN 60529) | IP54 |
| Material | Base plate: Steel, zinc plated ESR frame: Polyamide |
| Flame class | UL94-V0, self-extinguishing |
| Operating temperature | -40 C° to 90 C° |
| Properties | silicone free, halogen free |
| Mounting options | Screw type mounting |

Advantages & benefits

- Easy assembly and removal
- During assembly, almost the complete base of the enclosure can be used for installation of cables
- Even large connectors can be installed easily
- Subsequent assembly possible
- No additional sheet metal work required

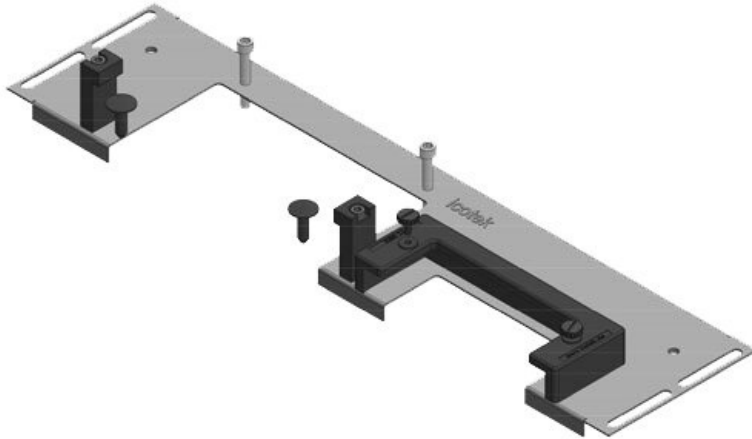
Product types & sizes

KDR-ESR-VX25-600-44500



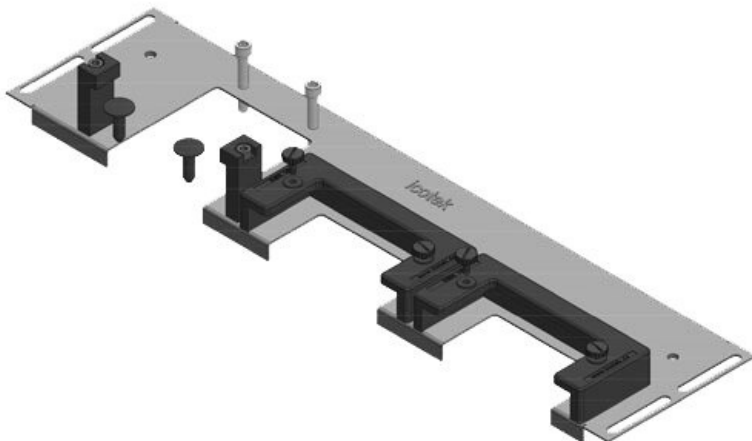
| | | | |
|--------------|-------------------|---------------|---------------------|
| Part No. | 44500 | For enclosure | 600 mm |
| EAN | 4251269319 | width | |
| | 754 | Sight size of | 452 mm |
| Package | 1 | base opening | |
| quantity | | Suitable for | 2 × KEL-U 24 |
| Length | 488 mm | cable entry | / KEL-QUICK |
| Width | 100 mm | systems: | 24 |
| Height | 43 mm | Suitable for | Rittal VX25 |
| Total length | 488 mm | enclosure | |
| gland plate | | | |

KDR-ESR-VX25-600-44501



| | | | |
|--------------|-------------------|---------------|---------------------|
| Part No. | 44501 | For enclosure | 600 mm |
| EAN | 4251269319 | width | |
| | 761 | Sight size of | 452 mm |
| Package | 1 | base opening | |
| quantity | | Suitable for | 1 × KEL-U 24 |
| Length | 488 mm | cable entry | / KEL-QUICK |
| Width | 120 mm | systems: | 24, 1 × KEL- |
| Height | 57 mm | | JUMBO 2 |
| Total length | 488 mm | Suitable for | Rittal VX25 |
| gland plate | | enclosure | |

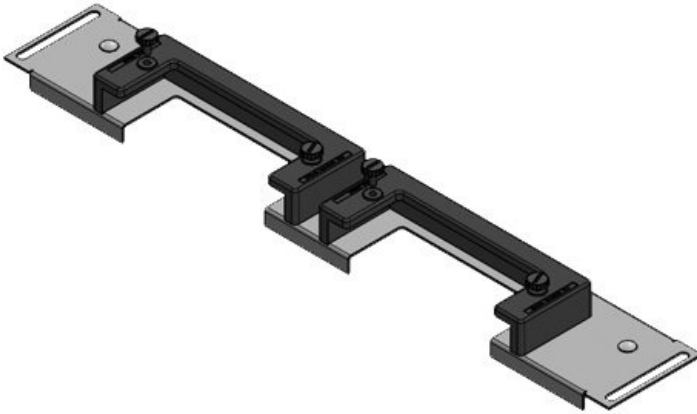
KDR-ESR-VX25-600-44502



| | | | |
|--------------|-------------------|---------------|---------------------|
| Part No. | 44502 | For enclosure | 600 mm |
| EAN | 4251269319 | width | |
| | 778 | Sight size of | 452 mm |
| Package | 1 | base opening | |
| quantity | | Suitable for | 2 × KEL-U 16 |
| Length | 488 mm | cable entry | / KEL-QUICK |
| Width | 120 mm | systems: | 16, 1 × KEL- |
| Height | 57 mm | | JUMBO 1 |
| Total length | 488 mm | Suitable for | Rittal VX25 |
| gland plate | | enclosure | |

KDRS-ESR-VX25-600-44512

| | | | |
|--------------|-------------------|---------------|---------------------|
| Part No. | 44512 | For enclosure | 600 mm |
| EAN | 4251269321 | width | |
| | 108 | Sight size of | 452 mm |
| Package | 1 | base opening | |
| quantity | | Suitable for | 2 × KEL-U 24 |
| Length | 488 mm | cable entry | / KEL-QUICK |
| Width | 75 mm | systems: | 24 |
| Height | 44 mm | Suitable for | Rittal VX25 |
| Total length | 488 mm | enclosure | |
| gland plate | | | |

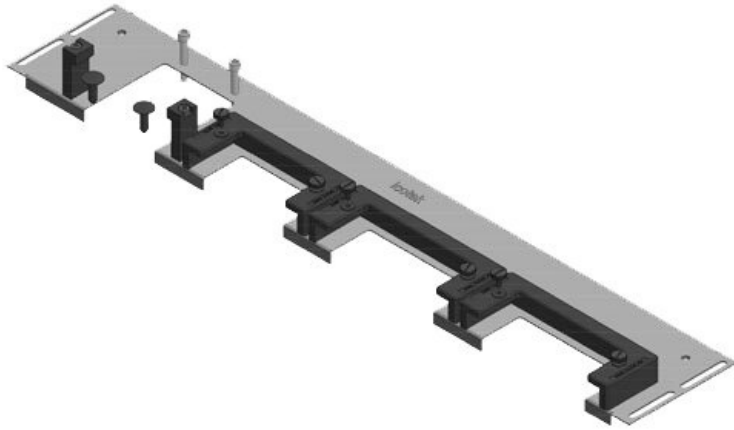


KDR-ESR-VX25-800-44503

| | | | |
|--------------|-------------------|---------------|---------------------|
| Part No. | 44503 | For enclosure | 800 mm |
| EAN | 4251269319 | width | |
| | 785 | Sight size of | 652 mm |
| Package | 1 | base opening | |
| quantity | | Suitable for | 3 × KEL-U 24 |
| Length | 688 mm | cable entry | / KEL-QUICK |
| Width | 100 mm | systems: | 24, 1 × KEL- |
| Height | 43 mm | | U 16 / KEL- |
| Total length | 688 mm | | QUICK 16 |
| gland plate | | Suitable for | Rittal VX25 |
| | | enclosure | |

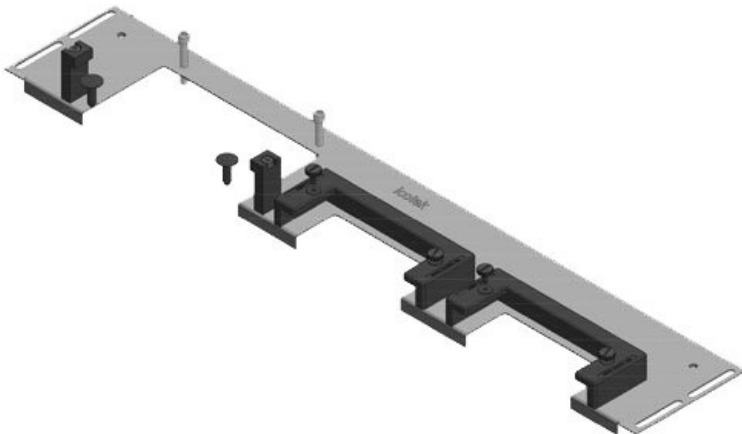


KDR-ESR-VX25-800-44504



| | | | |
|--------------------------|----------------------|-----------------------------------|--|
| Part No. | 44504 | For enclosure width | 800 mm |
| EAN | 4251269319792 | Sight size of base opening | 652 mm |
| Package quantity | 1 | Suitable for cable entry systems: | 2 × KEL-U 24 / KEL-QUICK 24, 1 × KEL-U 16 / KEL-QUICK 16, 1 × KEL-JUMBO 1 |
| Length | 688 mm | | |
| Width | 120 mm | | |
| Height | 57 mm | | |
| Total length gland plate | 688 mm | Suitable for enclosure | Rittal VX25 |

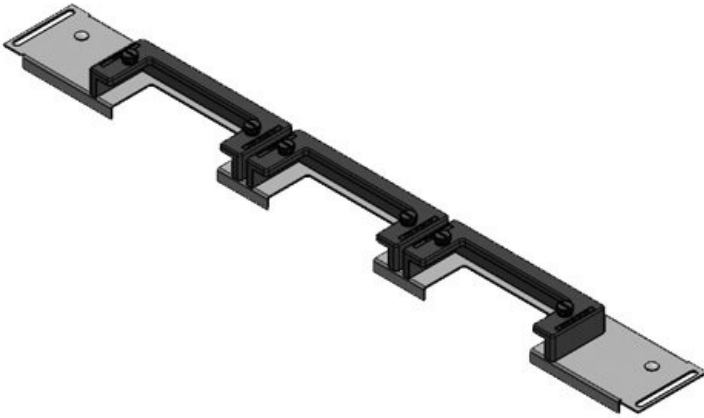
KDR-ESR-VX25-800-44505



| | | | |
|--------------------------|----------------------|-----------------------------------|---|
| Part No. | 44505 | For enclosure width | 800 mm |
| EAN | 4251269319808 | Sight size of base opening | 652 mm |
| Package quantity | 1 | Suitable for cable entry systems: | 2 × KEL-U 24 / KEL-QUICK 24, 1 × KEL-JUMBO 2 |
| Length | 688 mm | | |
| Width | 120 mm | | |
| Height | 57 mm | | |
| Total length gland plate | 688 mm | Suitable for enclosure | Rittal VX25 |

KDRS-ESR-VX25-800-44513

| | | | |
|--------------|-------------------|---------------|---------------------|
| Part No. | 44513 | For enclosure | 800 mm |
| EAN | 4251269321 | width | |
| | 115 | Sight size of | 652 mm |
| Package | 1 | base opening | |
| quantity | | Suitable for | 3 × KEL-U 24 |
| Length | 688 mm | cable entry | / KEL-QUICK |
| Width | 75 mm | systems: | 24 |
| Height | 43 mm | Suitable for | Rittal VX25 |
| Total length | 688 mm | enclosure | |
| gland plate | | | |

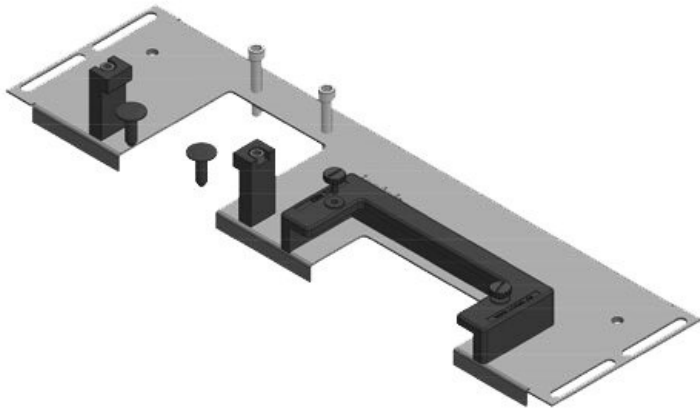


KDR-ESR-VX25-1000-44506

| | | | |
|--------------|-------------------|---------------|---------------------|
| Part No. | 44506 | For enclosure | 1.000 mm |
| EAN | 4251269319 | width | |
| | 815 | Sight size of | 402 mm |
| Package | 1 | base opening | |
| quantity | | Division bar | yes |
| Length | 438 mm | Suitable for | 2 × KEL-U 24 |
| Width | 100 mm | cable entry | / KEL-QUICK |
| Height | 43 mm | systems: | 24 |
| Total length | 438 mm | Suitable for | Rittal VX25 |
| gland plate | | enclosure | |

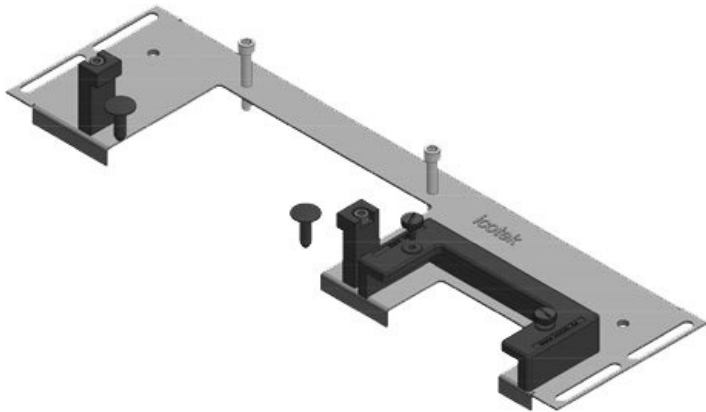


KDR-ESR-VX25-1000-44507



| | | | |
|--------------------------|-------------------|-----------------------------------|---|
| Part No. | 44507 | For enclosure width | 1.000 mm |
| EAN | 4251269319 | Sight size of base opening | 402 mm |
| Package quantity | 1 | Division bar | yes |
| Length | 438 mm | Suitable for cable entry systems: | 1 × KEL-U 24 / KEL-QUICK 24, 1 × KEL-JUMBO 1 |
| Width | 120 mm | Suitable for enclosure | Rittal VX25 |
| Height | 57 mm | | |
| Total length gland plate | 438 mm | | |

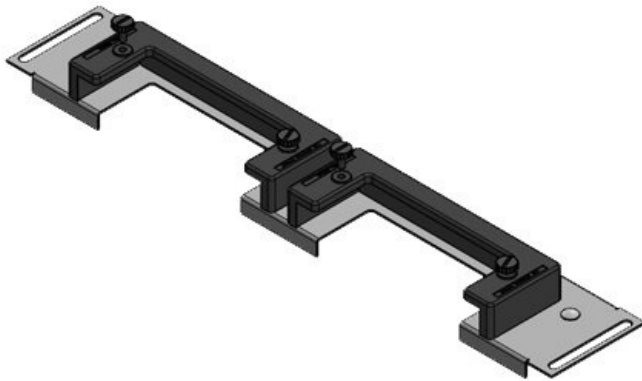
KDR-ESR-VX25-1000-44508



| | | | |
|--------------------------|-------------------|-----------------------------------|---|
| Part No. | 44508 | For enclosure width | 1.000 mm |
| EAN | 4251269319 | Sight size of base opening | 402 mm |
| Package quantity | 1 | Division bar | yes |
| Length | 438 mm | Suitable for cable entry systems: | 1 × KEL-U 16 / KEL-QUICK 16, 1 × KEL-JUMBO 2 |
| Width | 120 mm | Suitable for enclosure | Rittal VX25 |
| Height | 57 mm | | |
| Total length gland plate | 438 mm | | |

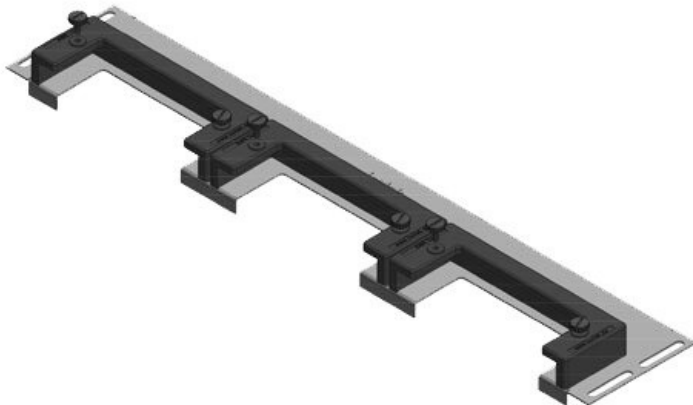
KDRS-ESR-VX25-1000-44514

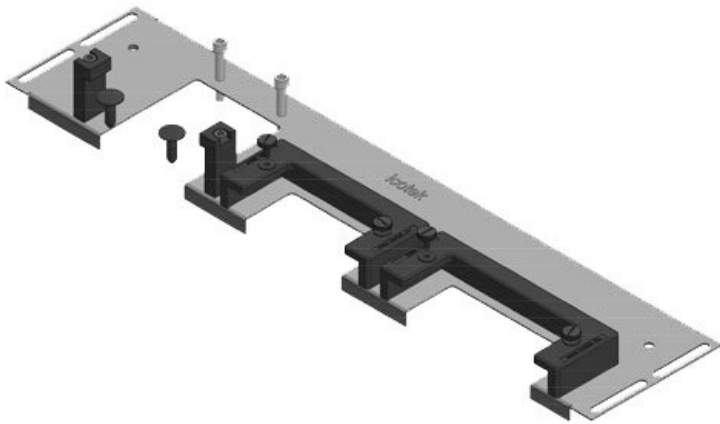
| | | | |
|--------------------------|-------------------|-----------------------------------|------------------------------------|
| Part No. | 44514 | For enclosure width | 1.000 mm |
| EAN | 4251269321 | Sight size of base opening | 402 mm |
| Package quantity | 1 | Suitable for cable entry systems: | 2 × KEL-U 24 / KEL-QUICK 24 |
| Length | 438 mm | Suitable for enclosure | Rittal VX25 |
| Width | 75 mm | | |
| Height | 44 mm | | |
| Total length gland plate | 438 mm | | |



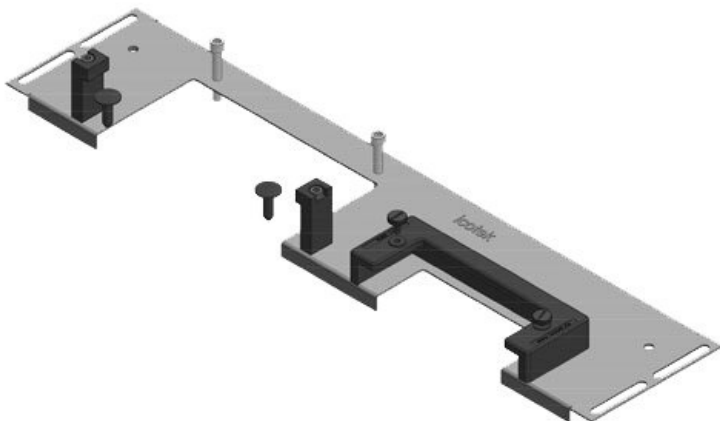
KDR-ESR-VX25-1200-44509

| | | | |
|--------------------------|-------------------|-----------------------------------|------------------------------------|
| Part No. | 44509 | For enclosure width | 1.200 mm |
| EAN | 4251269319 | Sight size of base opening | 502 mm |
| Package quantity | 1 | Suitable for cable entry systems: | 3 × KEL-U 24 / KEL-QUICK 24 |
| Length | 538 mm | Suitable for enclosure | Rittal VX25 |
| Width | 100 mm | | |
| Height | 43 mm | | |
| Total length gland plate | 538 mm | | |





| | | | |
|--------------------------|-------------------|-----------------------------------|--|
| Part No. | 44510 | For enclosure width | 1.200 mm |
| EAN | 4251269319 | Sight size of base opening | 502 mm |
| Package quantity | 1 | Suitable for cable entry systems: | 1 × KEL-U 24 / KEL-QUICK 24, 1 × KEL-U 16 / KEL-QUICK 16, 1 × KEL-JUMBO 1 |
| Length | 538 mm | Suitable for enclosure | Rittal VX25 |
| Width | 120 mm | | |
| Height | 57 mm | | |
| Total length gland plate | 538 mm | | |

KDR-ESR-VX25-1200-44511


| | | | |
|--------------------------|-------------------|-----------------------------------|---|
| Part No. | 44511 | For enclosure width | 1.200 mm |
| EAN | 4251269319 | Sight size of base opening | 502 mm |
| Package quantity | 1 | Suitable for cable entry systems: | 1 × KEL-U 24 / KEL-QUICK 24, 1 × KEL-JUMBO 2 |
| Length | 538 mm | Suitable for enclosure | Rittal VX25 |
| Width | 120 mm | | |
| Height | 57 mm | | |
| Total length gland plate | 538 mm | | |

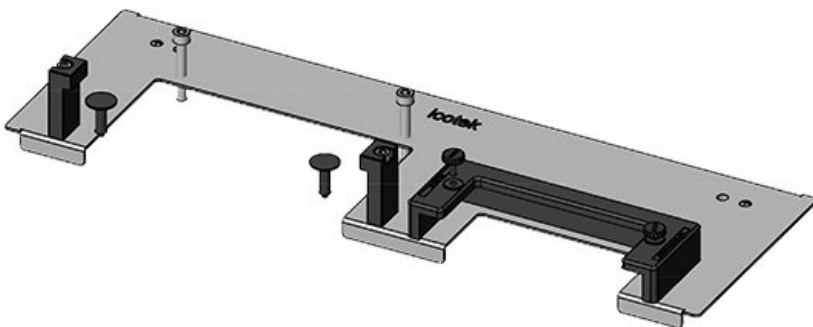
KDRS-ESR-VX25-1200-44515

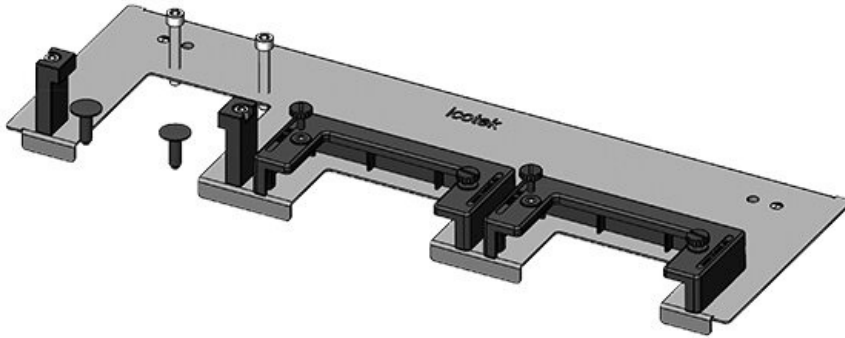
| | | | |
|--------------|-------------------|---------------|---------------------|
| Part No. | 44515 | For enclosure | 1.200 mm |
| EAN | 4251269321 | width | |
| | 139 | Sight size of | 502 mm |
| Package | 1 | base opening | |
| quantity | | Suitable for | 3 × KEL-U 24 |
| Length | 538 mm | cable entry | / KEL-QUICK |
| Width | 75 mm | systems: | 24 |
| Height | 44 mm | Suitable for | Rittal VX25 |
| Total length | 538 mm | enclosure | |
| gland plate | | | |



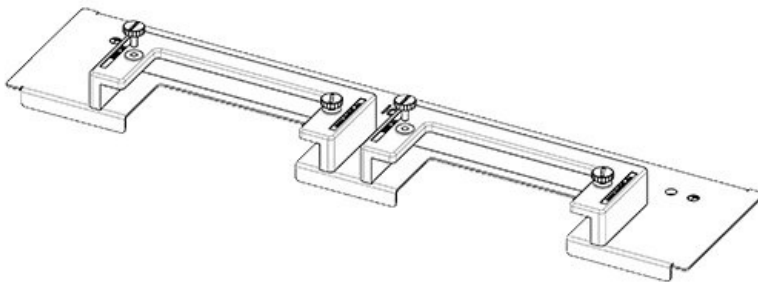
KDR-ESR-TS8-600-43070

| | | | |
|--------------|-------------------|---------------|---------------------|
| Part No. | 43070 | For enclosure | 600 mm |
| EAN | 4251269309 | width | |
| | 519 | Sight size of | 435 mm |
| Package | 1 | base opening | |
| quantity | | Suitable for | 1 × KEL-U 24 |
| Length | 458 mm | cable entry | / KEL-QUICK |
| Width | 150 mm | systems: | 24, 1 × KEL- |
| Height | 57 mm | | JUMBO 2 |
| Total length | 458 mm | Suitable for | Rittal TS 8 |
| gland plate | | enclosure | |



KDR-ESR-TS8-600-43071

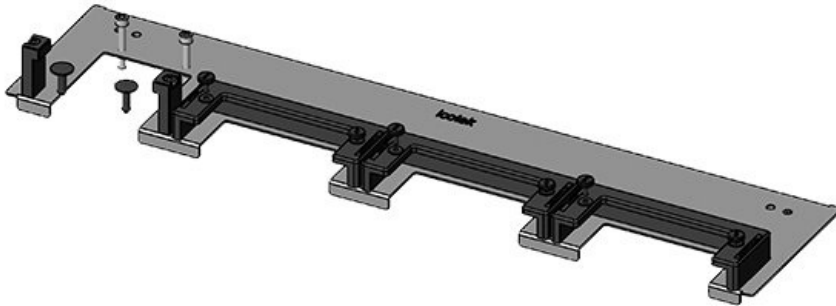
| | | | |
|--------------------------|-------------------|-----------------------------------|---|
| Part No. | 43071 | For enclosure width | 600 mm |
| EAN | 4251269309 | Sight size of base opening | 435 mm |
| Package quantity | 1 | Suitable for cable entry systems: | 2 × KEL-U 16 / KEL-QUICK 16, 1 × KEL-JUMBO 1 |
| Length | 458 mm | Suitable for enclosure | Rittal TS 8 |
| Width | 150 mm | | |
| Height | 57 mm | | |
| Total length gland plate | 458 mm | | |

KDR-ESR-TS8-600-43079

| | | | |
|--------------------------|-------------------|-----------------------------------|------------------------------------|
| Part No. | 43079 | For enclosure width | 600 mm |
| EAN | 4251269309 | Sight size of base opening | 435 mm |
| Package quantity | 1 | Suitable for cable entry systems: | 2 × KEL-U 24 / KEL-QUICK 24 |
| Length | 458 mm | Suitable for enclosure | Rittal TS 8 |
| Width | 100 mm | | |
| Height | 44 mm | | |
| Total length gland plate | 458 mm | | |

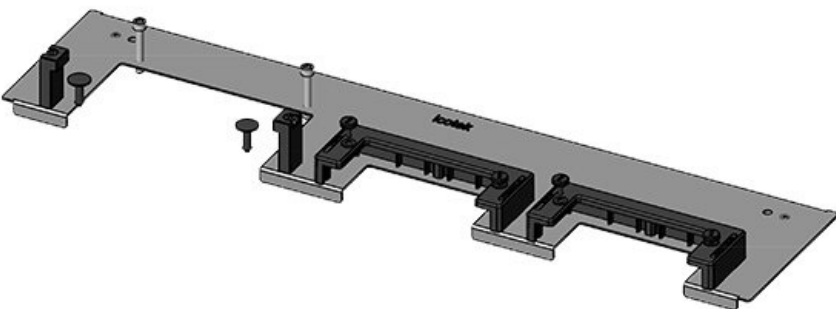
KDR-ESR-TS8-800-43072

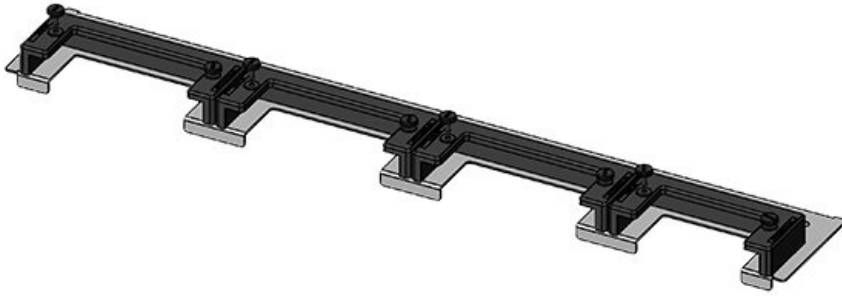
| | | | |
|--------------|-------------------|---------------|---------------------|
| Part No. | 43072 | For enclosure | 800 mm |
| EAN | 4251269309 | width | |
| | 533 | Sight size of | 635 mm |
| Package | 1 | base opening | |
| quantity | | Suitable for | 3 × KEL-U 24 |
| Length | 658 mm | cable entry | / KEL-QUICK |
| Width | 150 mm | systems: | 24, 1 × KEL- |
| Height | 57 mm | | JUMBO 1 |
| Total length | 658 mm | Suitable for | Rittal TS 8 |
| gland plate | | enclosure | |



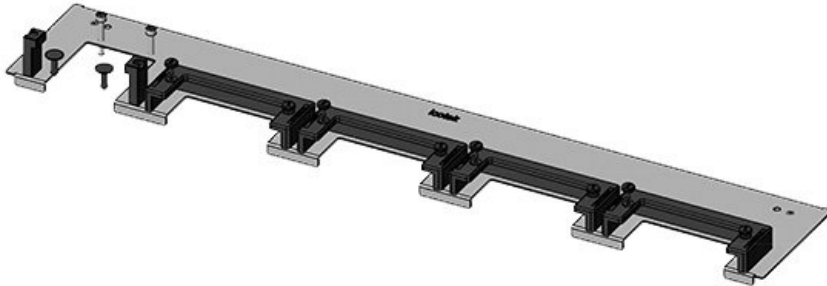
KDR-ESR-TS8-800-43073

| | | | |
|--------------|-------------------|---------------|---------------------|
| Part No. | 43073 | For enclosure | 800 mm |
| EAN | 4251269309 | width | |
| | 540 | Sight size of | 635 mm |
| Package | 1 | base opening | |
| quantity | | Suitable for | 2 × KEL-U 24 |
| Length | 658 mm | cable entry | / KEL-QUICK |
| Width | 150 mm | systems: | 24, 1 × KEL- |
| Height | 57 mm | | JUMBO 2 |
| Total length | 658 mm | Suitable for | Rittal TS 8 |
| gland plate | | enclosure | |



KDR-ESR-TS8-800-43080

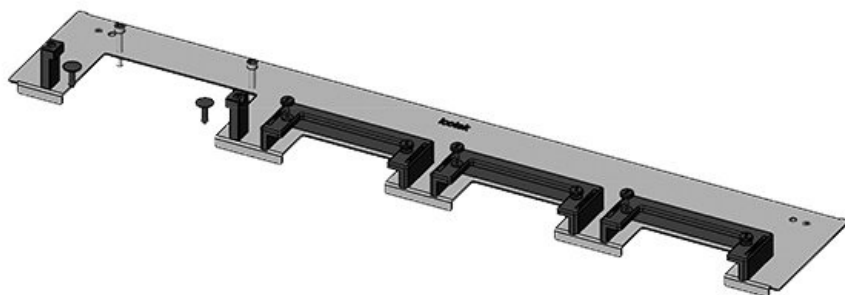
| | | | |
|--------------------------|----------------------|-----------------------------------|---|
| Part No. | 43080 | For enclosure width | 800 mm |
| EAN | 4251269309618 | Sight size of base opening | 635 mm |
| Package quantity | 1 | Suitable for cable entry systems: | 3 × KEL-U 24 / KEL-QUICK 24, 1 × KEL-U 16 / KEL-QUICK 16 |
| Length | 658 mm | Suitable for enclosure | Rittal TS 8 |
| Width | 100 mm | | |
| Height | 44 mm | | |
| Total length gland plate | 658 mm | | |

KDR-ESR-TS8-1000-43074

| | | | |
|--------------------------|----------------------|-----------------------------------|---|
| Part No. | 43074 | For enclosure width | 1.000 mm |
| EAN | 4251269309557 | Sight size of base opening | 835 mm |
| Package quantity | 1 | Division bar | no |
| Length | 858 mm | Suitable for cable entry systems: | 4 × KEL-U 24 / KEL-QUICK 24, 1 × KEL-JUMBO 1 |
| Width | 150 mm | Suitable for enclosure | Rittal TS 8 |
| Height | 57 mm | | |
| Total length gland plate | 858 mm | | |

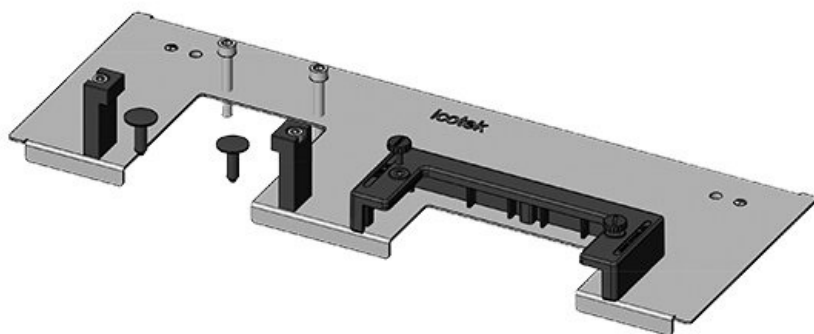
KDR-ESR-TS8-1000-43075

| | | | |
|--------------|-------------------|---------------|---------------------|
| Part No. | 43075 | For enclosure | 1.000 mm |
| EAN | 4251269309 | width | |
| | 564 | Sight size of | 835 mm |
| Package | 1 | base opening | |
| quantity | | Division bar | no |
| Length | 858 mm | Suitable for | 3 × KEL-U 24 |
| Width | 150 mm | cable entry | / KEL-QUICK |
| Height | 57 mm | systems: | 24, 1 × KEL- |
| Total length | 858 mm | | JUMBO 2 |
| gland plate | | Suitable for | Rittal TS 8 |
| | | enclosure | |

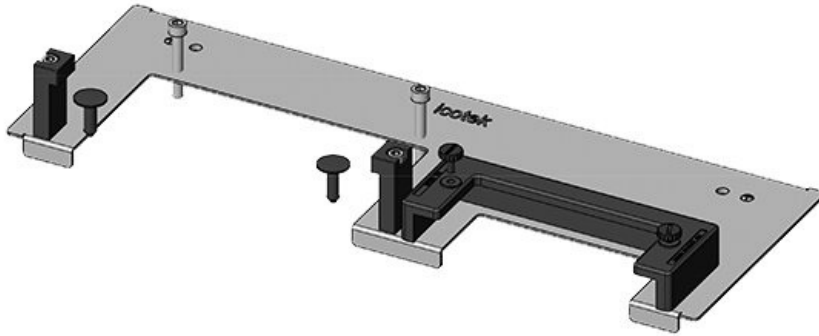


KDR-ESR-TS8-1000-43076

| | | | |
|--------------|-------------------|---------------|---------------------|
| Part No. | 43076 | For enclosure | 1.000 mm |
| EAN | 4251269309 | width | |
| | 571 | Sight size of | 398 mm |
| Package | 1 | base opening | |
| quantity | | Division bar | yes |
| Length | 420 mm | Suitable for | 1 × KEL-U 24 |
| Width | 150 mm | cable entry | / KEL-QUICK |
| Height | 57 mm | systems: | 24, 1 × KEL- |
| Total length | 420 mm | | JUMBO 1 |
| gland plate | | Suitable for | Rittal TS 8 |
| | | enclosure | |

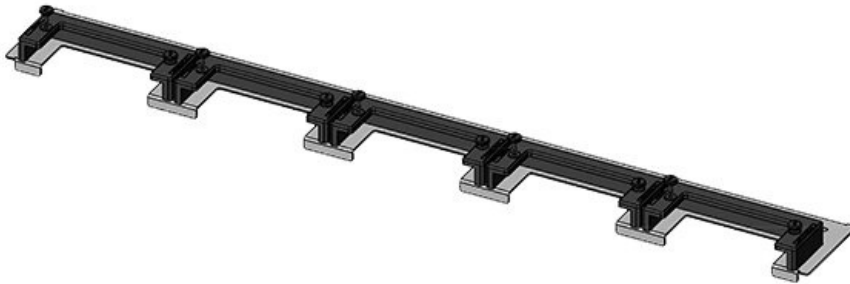


KDR-ESR-TS8-1000-43077



| | | | |
|--------------------------|-------------------|-----------------------------------|---|
| Part No. | 43077 | For enclosure width | 1.000 mm |
| EAN | 4251269309 | Sight size of base opening | 398 mm |
| Package quantity | 1 | Division bar | yes |
| Length | 420 mm | Suitable for cable entry systems: | 1 × KEL-U 24 / KEL-QUICK 24, 1 × KEL-JUMBO 2 |
| Width | 150 mm | Suitable for enclosure | Rittal TS 8 |
| Height | 57 mm | | |
| Total length gland plate | 420 mm | | |

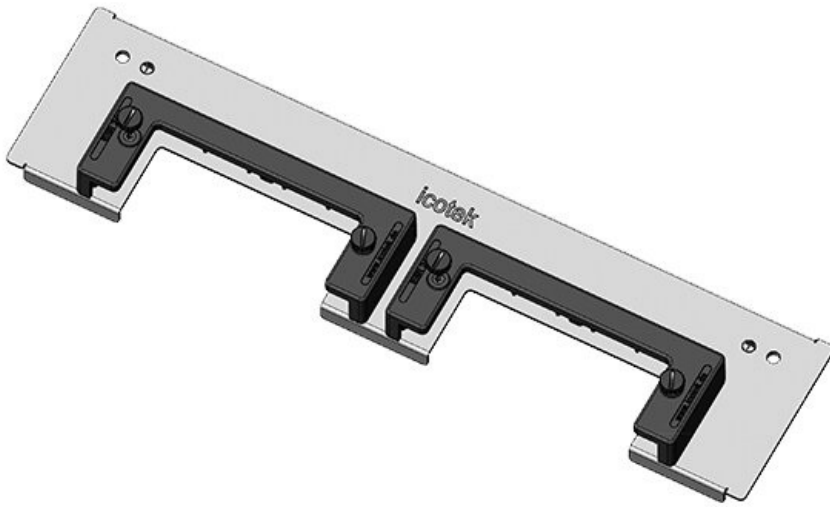
KDR-ESR-TS8-1000-43081



| | | | |
|--------------------------|-------------------|-----------------------------------|------------------------------------|
| Part No. | 43081 | For enclosure width | 1.000 mm |
| EAN | 4251269309 | Sight size of base opening | 835 mm |
| Package quantity | 1 | Division bar | no |
| Length | 858 mm | Suitable for cable entry systems: | 5 × KEL-U 24 / KEL-QUICK 24 |
| Width | 100 mm | Suitable for enclosure | Rittal TS 8 |
| Height | 44 mm | | |
| Total length gland plate | 858 mm | | |

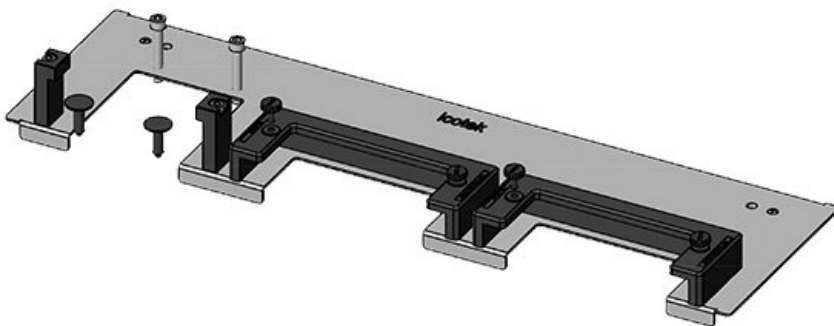
KDR-ESR-TS8-1000-43082

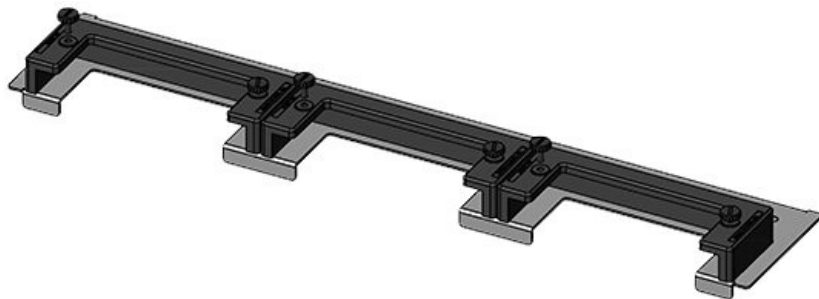
| | | | |
|--------------------------|----------------------|-----------------------------------|------------------------------------|
| Part No. | 43082 | For enclosure width | 1.000 mm |
| EAN | 4251269309632 | Sight size of base opening | 398 mm |
| Package quantity | 1 | Division bar | yes |
| Length | 420 mm | Suitable for cable entry systems: | 2 × KEL-U 24 / KEL-QUICK 24 |
| Width | 100 mm | Suitable for enclosure | Rittal TS 8 |
| Height | 44 mm | | |
| Total length gland plate | 420 mm | | |



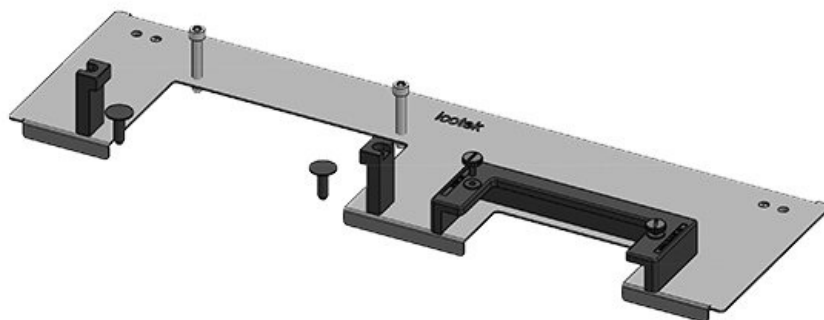
KDR-ESR-TS8-1200-43078

| | | | |
|--------------------------|----------------------|-----------------------------------|---|
| Part No. | 43078 | For enclosure width | 1.200 mm |
| EAN | 4251269309595 | Sight size of base opening | 495 mm |
| Package quantity | 1 | Suitable for cable entry systems: | 2 × KEL-U 24 / KEL-QUICK 24, 1 × KEL-JUMBO 1 |
| Length | 518 mm | Suitable for enclosure | Rittal TS 8 |
| Width | 150 mm | | |
| Height | 57 mm | | |
| Total length gland plate | 518 mm | | |



KDR-ESR-TS8-1200-43083

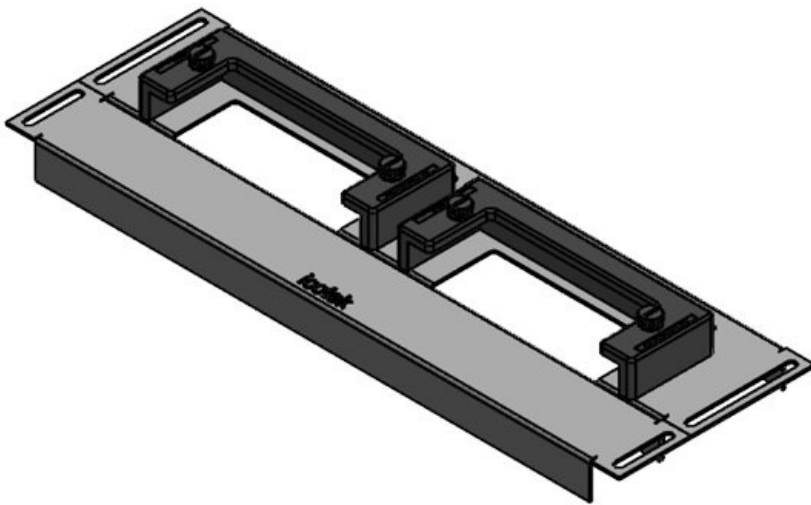
| | | | |
|--------------------------|----------------------|-----------------------------------|------------------------------------|
| Part No. | 43083 | For enclosure width | 1.200 mm |
| EAN | 4251269309649 | Sight size of base opening | 495 mm |
| Package quantity | 1 | Suitable for cable entry systems: | 3 × KEL-U 24 / KEL-QUICK 24 |
| Length | 518 mm | Suitable for enclosure | Rittal TS 8 |
| Width | 100 mm | | |
| Height | 44 mm | | |
| Total length gland plate | 518 mm | | |

KDR-ESR-TS8-1200-43084

| | | | |
|--------------------------|----------------------|-----------------------------------|---|
| Part No. | 43084 | For enclosure width | 1.200 mm |
| EAN | 4251269309656 | Sight size of base opening | 495 mm |
| Package quantity | 1 | Suitable for cable entry systems: | 1 × KEL-U 24 / KEL-QUICK 24, 1 × KEL-JUMBO 2 |
| Length | 518 mm | Suitable for enclosure | Rittal TS 8 |
| Width | 150 mm | | |
| Height | 57 mm | | |
| Total length gland plate | 518 mm | | |

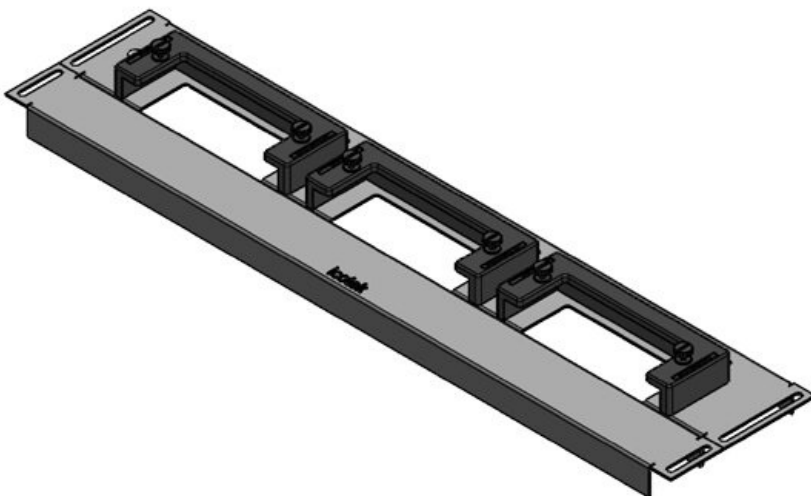
KDR-ESR-HW-600 + blank sheet

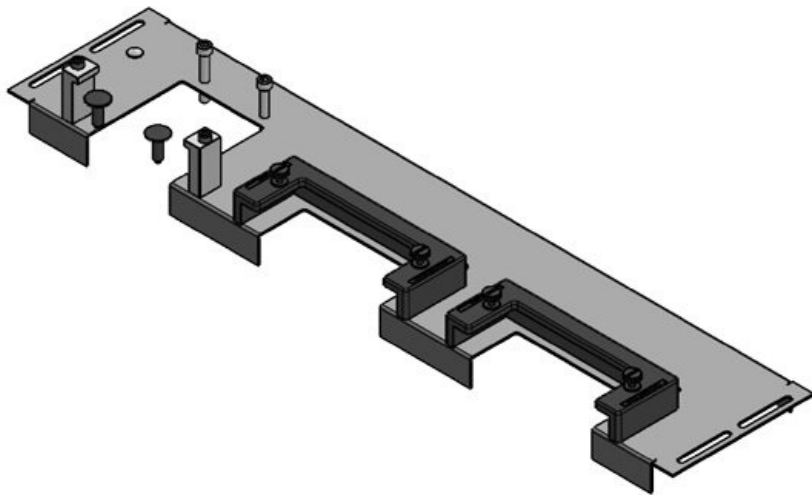
| | | | |
|--------------|-------------------|---------------|---------------------|
| Part No. | 44520 | For enclosure | 600 mm |
| EAN | 4251269324 | width | |
| | 543 | Sight size of | 392 mm |
| Package | 1 | base opening | |
| quantity | | Suitable for | 2 × KEL-U 24 |
| Length | 427 mm | cable entry | / KEL-QUICK |
| Width | 136 mm | systems: | 24 |
| Height | 56 mm | Suitable for | Häwa H390 / |
| Total length | 427 mm | enclosure | H395 |
| gland plate | | | |



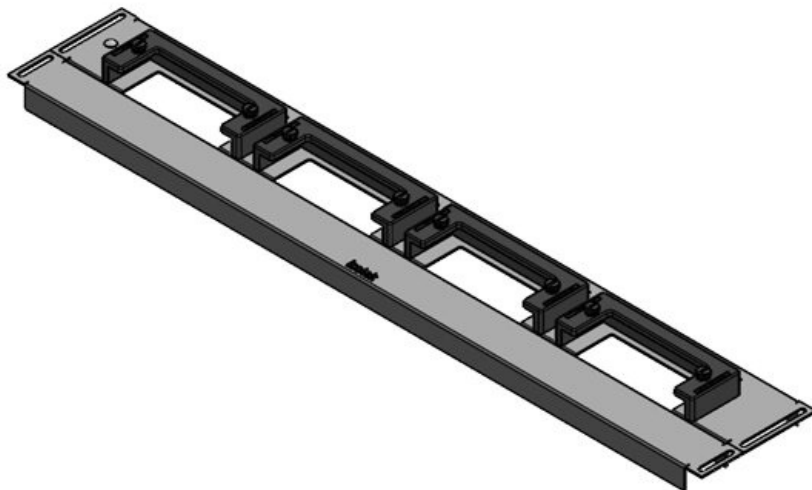
KDR-ESR-HW-800 + blank sheet

| | | | |
|--------------|-------------------|---------------|---------------------|
| Part No. | 44521 | For enclosure | 800 mm |
| EAN | 4251269324 | width | |
| | 550 | Sight size of | 592 mm |
| Package | 1 | base opening | |
| quantity | | Suitable for | 3 × KEL-U 24 |
| Length | 627 mm | cable entry | / KEL-QUICK |
| Width | 136 mm | systems: | 24 |
| Height | 59 mm | Suitable for | Häwa H390 / |
| Total length | 627 mm | enclosure | H395 |
| gland plate | | | |



KDR-ESR-HW-800

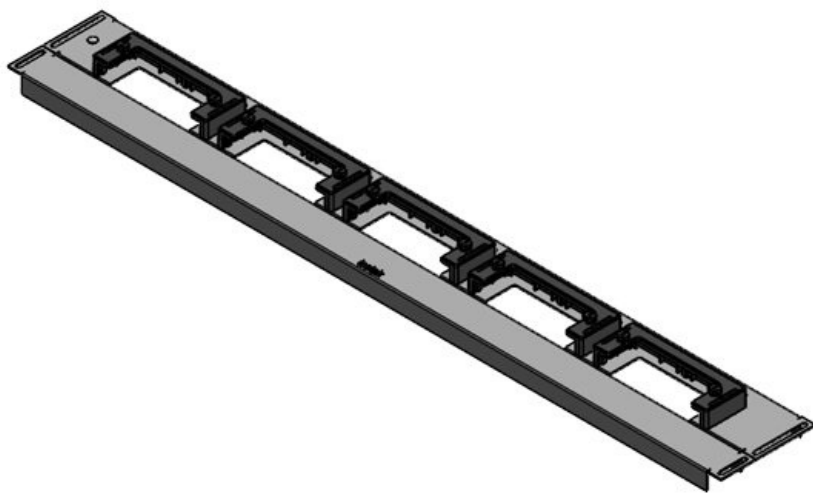
| | | | |
|--------------------------|-------------------|-----------------------------------|---|
| Part No. | 44522 | For enclosure width | 800 mm |
| EAN | 4251269324 | Sight size of base opening | 592 mm |
| Package quantity | 1 | Suitable for cable entry systems: | 2 × KEL-U 24 / KEL-QUICK 24, 1 × KEL-JUMBO 1 |
| Length | 627 mm | Suitable for enclosure | Häwa H390 / H395 |
| Width | 133 mm | | |
| Height | 70 mm | | |
| Total length gland plate | 627 mm | | |

KDR-ESR-HW-1000 + blank sheet

| | | | |
|--------------------------|-------------------|-----------------------------------|------------------------------------|
| Part No. | 44523 | For enclosure width | 1.000 mm |
| EAN | 4251269324 | Sight size of base opening | 792 mm |
| Package quantity | 1 | Suitable for cable entry systems: | 4 × KEL-U 24 / KEL-QUICK 24 |
| Length | 827 mm | Suitable for enclosure | Häwa H390 / H395 |
| Width | 136 mm | | |
| Height | 56 mm | | |
| Total length gland plate | 827 mm | | |

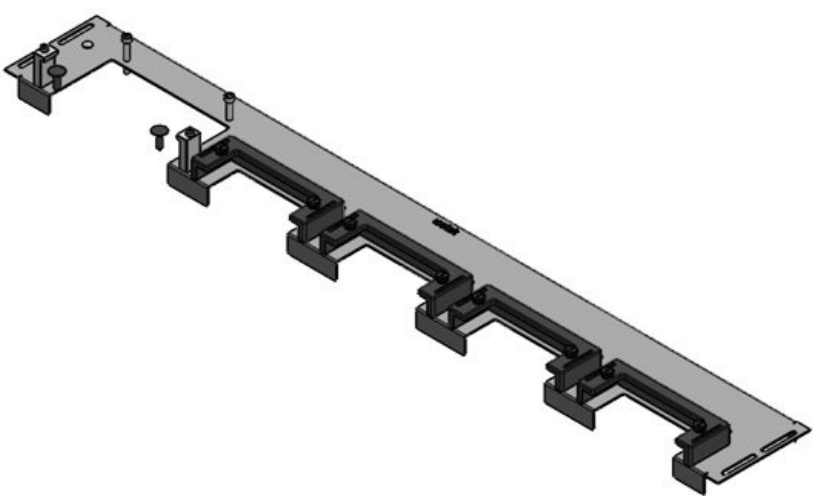
KDR-ESR-HW-1200 + blank sheet

| | | | |
|--------------------------|-------------------|-----------------------------------|------------------------------------|
| Part No. | 44524 | For enclosure width | 1.200 mm |
| EAN | 4251269324 | Sight size of base opening | 992 mm |
| Package quantity | 1 | Suitable for cable entry systems: | 5 × KEL-U 24 / KEL-QUICK 24 |
| Length | 1.027 mm | Suitable for enclosure | Häwa H390 / H395 |
| Width | 136 mm | | |
| Height | 56 mm | | |
| Total length gland plate | 1.027 mm | | |

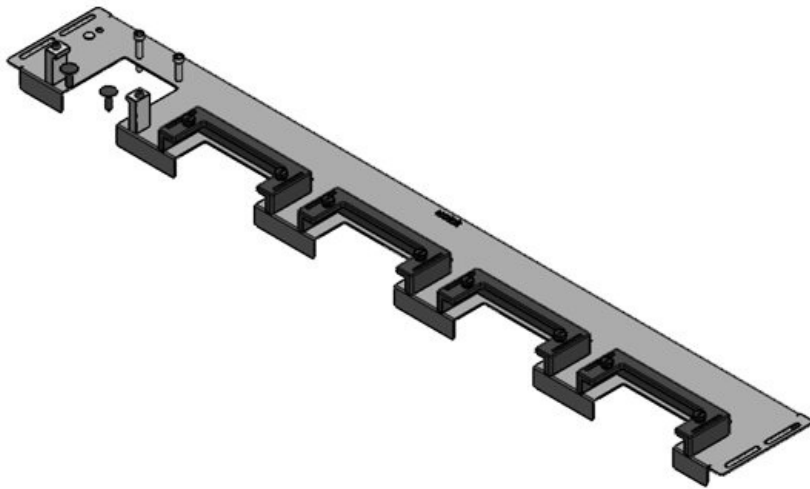


KDR-ESR-HW-1200-1

| | | | |
|--------------------------|-------------------|-----------------------------------|---|
| Part No. | 44526 | For enclosure width | 1.200 mm |
| EAN | 4251269324 | Sight size of base opening | 992 mm |
| Package quantity | 1 | Suitable for cable entry systems: | 4 × KEL-U 24 / KEL-QUICK 24, 1 × KEL-JUMBO 1 |
| Length | 1.027 mm | Suitable for enclosure | Häwa H390 / H395 |
| Width | 133 mm | | |
| Height | 70 mm | | |
| Total length gland plate | 1.027 mm | | |

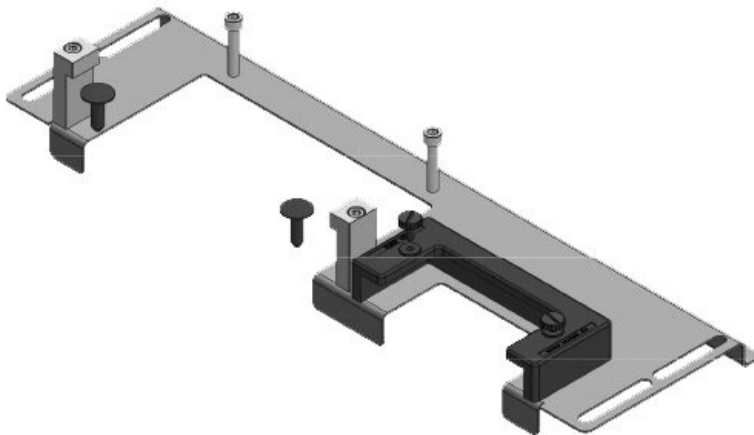


KDR-ESR-HW-1200-1



| | | | |
|--------------------------|-------------------|-----------------------------------|---|
| Part No. | 44525 | For enclosure width | 1.200 mm |
| EAN | 4251269324 | Sight size of base opening | 992 mm |
| Package quantity | 1 | Suitable for cable entry systems: | 4 × KEL-U 24 / KEL-QUICK 24, 1 × KEL-JUMBO 2 |
| Length | 1.027 mm | Suitable for enclosure | Häwa H390 / H395 |
| Width | 133 mm | | |
| Height | 70 mm | | |
| Total length gland plate | 1.027 mm | | |

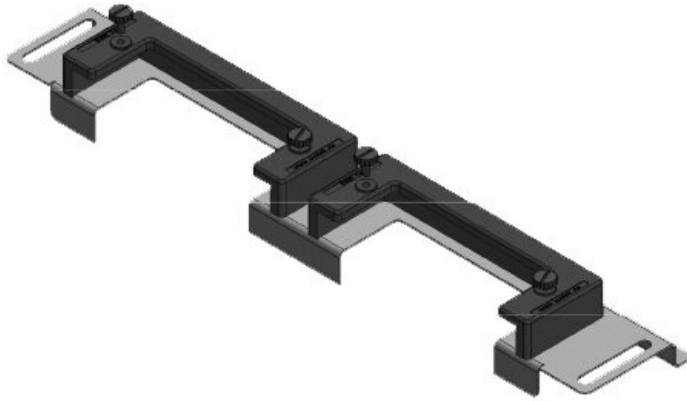
KDR-ESR-HG2-600-43250



| | | | |
|--------------------------|-------------------|-----------------------------------|---|
| Part No. | 43250 | For enclosure width | 600 mm |
| EAN | 4251269317 | Sight size of base opening | 368 mm |
| Package quantity | 1 | Suitable for cable entry systems: | 1 × KEL-U 16 / KEL-QUICK 16, 1 × KEL-JUMBO 2 |
| Length | 432 mm | Suitable for enclosure | nVent Hoffman PROLINE G2 |
| Width | 131,5 mm | | |
| Height | 62,3 mm | | |
| Total length gland plate | 432 mm | | |

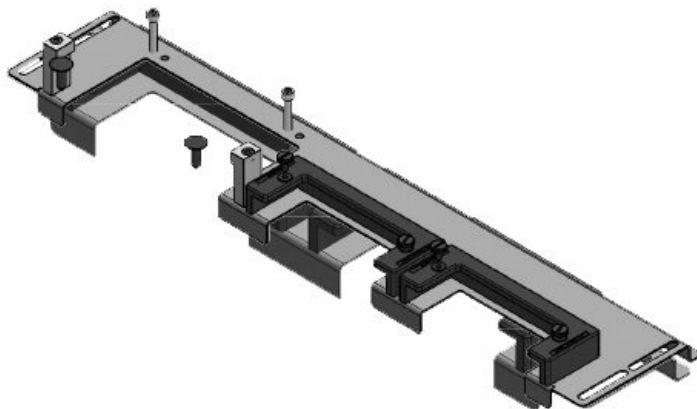
KDR-ESR-HG2-600-43251

| | | | |
|--------------|-------------------|---------------|---------------------|
| Part No. | 43251 | For enclosure | 600 mm |
| EAN | 4251269317 | width | |
| | 040 | Sight size of | 368 mm |
| Package | 1 | base opening | |
| quantity | | Suitable for | 2 × KEL-U 24 |
| Length | 432 mm | cable entry | / KEL-QUICK |
| Width | 81 mm | systems: | 24 |
| Height | 52,8 mm | Suitable for | nVent |
| Total length | 432 mm | enclosure | Hoffman |
| gland plate | | | PROLINE G2 |



KDR-ESR-HG2-800-43252

| | | | |
|--------------|-------------------|---------------|---------------------|
| Part No. | 43252 | For enclosure | 800 mm |
| EAN | 4251269317 | width | |
| | 057 | Sight size of | 568 mm |
| Package | 1 | base opening | |
| quantity | | Suitable for | 2 × KEL-U 24 |
| Length | 632 mm | cable entry | / KEL-QUICK |
| Width | 131,5 mm | systems: | 24, 1 × KEL- |
| Height | 45 mm | | JUMBO 2 |
| Total length | 632 mm | Suitable for | nVent |
| gland plate | | enclosure | Hoffman |
| | | | PROLINE G2 |

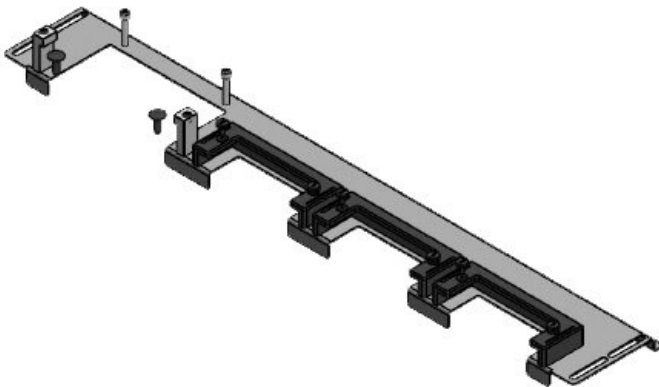


KDR-ESR-HG2-800-43253



| | | | |
|--------------------------|----------------------|-----------------------------------|------------------------------------|
| Part No. | 43253 | For enclosure width | 800 mm |
| EAN | 4251269317064 | Sight size of base opening | 568 mm |
| Package quantity | 1 | Suitable for cable entry systems: | 3 × KEL-U 24 / KEL-QUICK 24 |
| Length | 632 mm | Suitable for enclosure | nVent Hoffman PROLINE G2 |
| Width | 81 mm | | |
| Height | 52,8 mm | | |
| Total length gland plate | 632 mm | | |

KDR-ESR-HG2-1000-43254



| | | | |
|--------------------------|----------------------|-----------------------------------|---|
| Part No. | 43254 | For enclosure width | 1.000 mm |
| EAN | 4251269317071 | Sight size of base opening | 768 mm |
| Package quantity | 1 | Suitable for cable entry systems: | 3 × KEL-U 24 / KEL-QUICK 24, 1 × KEL-JUMBO 2 |
| Length | 832 mm | Suitable for enclosure | nVent Hoffman PROLINE G2 |
| Width | 131,5 mm | | |
| Height | 41,3 mm | | |
| Total length gland plate | 832 mm | | |

| | | | |
|--------------|-------------------|---------------|---------------------|
| Part No. | 43255 | For enclosure | 1.000 mm |
| EAN | 4251269317 | width | |
| | 088 | Sight size of | 768 mm |
| Package | 1 | base opening | |
| quantity | | Suitable for | 4 × KEL-U 24 |
| Length | 832 mm | cable entry | / KEL-QUICK |
| Width | 81 mm | systems: | 24 |
| Height | 52,8 mm | Suitable for | nVent |
| Total length | 832 mm | enclosure | Hoffman |
| gland plate | | | PROLINE G2 |

